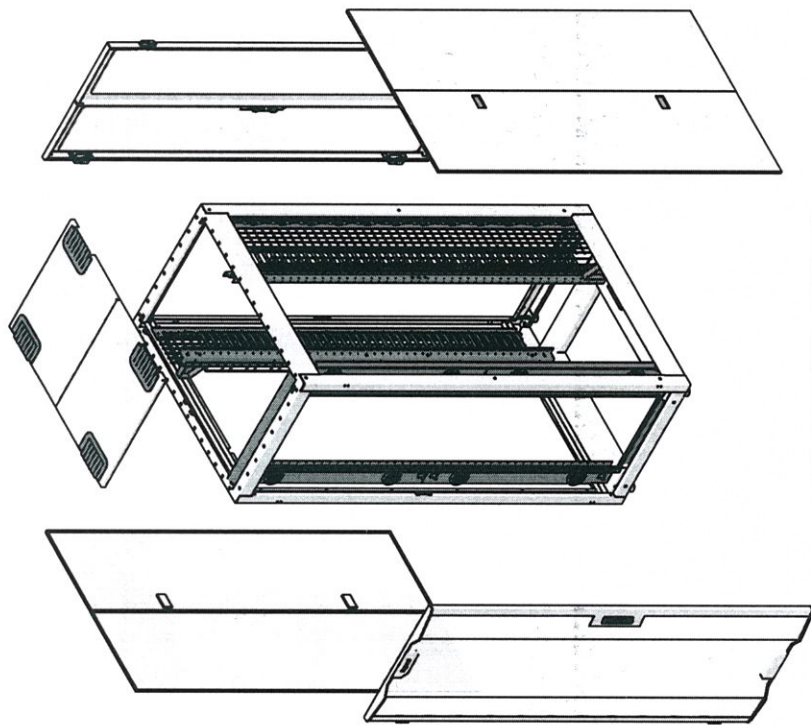


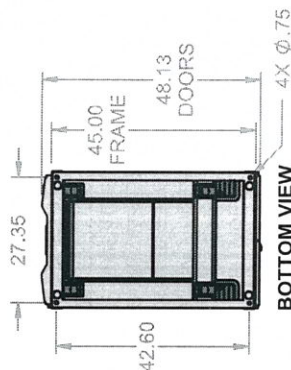
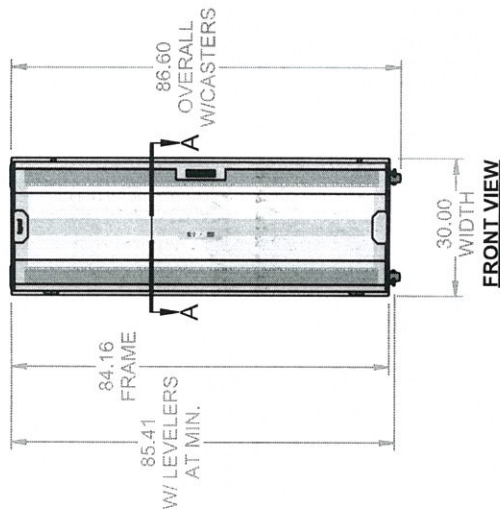
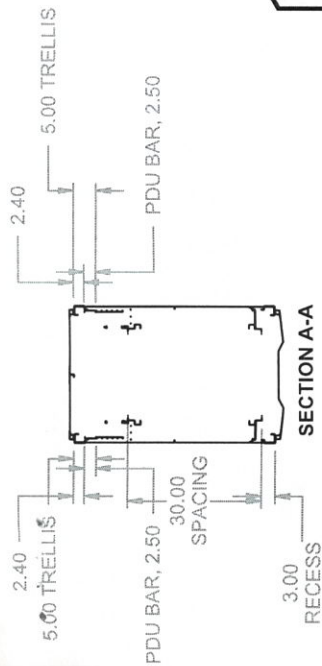
CABINET INCLUDES		
QTY.	Description	NOTE
1	LX Frame	
1	Casters, Set of Four	
2	Pair, Rails, 19", Sq-Sq	
1	Air Dam Kit	
2	Vertical PDU Lacing Bar, Single Wide	
2	6" Wire Trellis	
2	"L" Shaped Vertical Manager, 4" Fingers	
2	Top Panel, Half, Cable Entry	
1	Door, Full, Profile, Mesh	
2	Door Handle, Keyed #333	
1	Door, Split, Mesh	
2	Side Panel, Full, Solid Locking	



**EXPLODED ISOMETRIC VIEW**

- FEATURES:**
- CONFORMS TO EIA-310 STANDARDS.
  - ALL COMPONENTS FULLY ADJUSTABLE FRONT TO BACK.
  - FULLY WELDED CABINET FRAME CONSTRUCTION.
  - FRAME INCLUDES LEVELERS AND GANGING KIT.
  - FULLY ASSEMBLED.
  - BLACK POWDER COAT FINISH W/ BLACK INTERNAL COMPONENTS.

**LX453045-00064**  
 LX SERVER Cabinet Configuration Sheet  
 45RU X 30.00"W X 45.00"D  
 (Uni. of Illinois)



\*\*\* NOTICE \*\*\*  
 THIS DOCUMENT CONTAINS CONFIDENTIAL AND/OR PROPRIETARY INFORMATION INTENDED FOR USE ONLY BY THE INDIVIDUAL(S) PROVIDED. NEITHER THIS DOCUMENT NOR ANY INFORMATION CONTAINED HEREIN MAY BE COPIED, DISTRIBUTED, DISCLOSED TO ANY THIRD PARTY OR USED IN ANY MANNER OTHER THAN FOR WHICH IT HAS BEEN PROVIDED, WITHOUT THE PRIOR WRITTEN CONSENT OF LEGRAND, INC.

TITLE: